

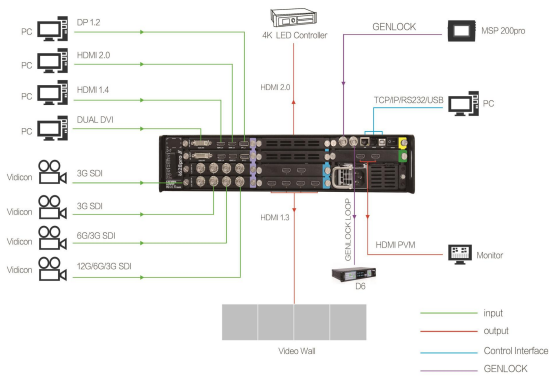
D6



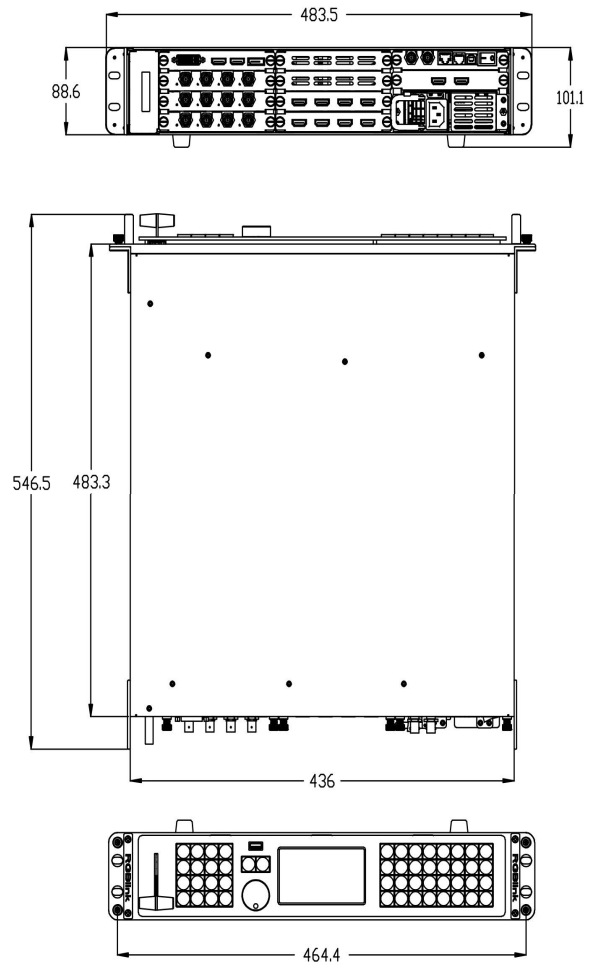
Key Features

- Internal YUV4:4:4 processing
- HDR Compatible
- HDMI 2.0/DP 1.2/HDMI 1.4/Dual Link DVI Inputs compatible
- HDMI 2.0 Output
- 12G/6G/3G/HD/SD SDI output
- 4K EDID management
- Multiple operation mode
- Presentation switching with 4K background + 8 layers
- AUX outputs
- Preview all inputs on multi-viewer and PST
- Demountable front panel for remote control
- GenLock In and Loop

Application



Dimensions



Order Codes

Product Code	Item
110-0628-01-0	D6
190-1628-06-0	SDI Input Module (configurable 3G/6G/12G)
190-1628-07-0	4K@60Hz Input Module (DVI/HDMI/DP)
190-1628-21-0	HDMI 2.0 4K Output Module
190-1628-23-0	12G SDI Output Module
190-1628-30-0	Four Layer Output Module
190-1628-31-0	Quad HDMI 2K Output Module
950-0005-00-0	PSU 400W

Tel: +86-592-5771197 | Fax: +86-592-5788216 | E-mail: sales@rgbink.com
 Headquarter: S601 Weiye Building, Torch Hi-Tech Development Zone, Xiamen, Fujian, P.R.C.

Specifications are correct at time of printing and subject to change or alteration without notice.

RGBlink®
 www.rgbink.com



Specification

Connectors	Input	4 slots up to 16 inputs, select f 4K@60Hz Module 1 × DVI-I 2 × HDMI-A 1 × DisplayPort 12G SDI Module 4 × BNC (1 × 12G/6G SDI or 4 × 3G SDI)
	Output	4 slot up to 16 outputs, select from 4K HDMI Module 2 × HDMI-A 12G SDI Module 4 × BNC (1 × 12G/6G SDI or 4 × 3G SDI) 2K HDMI Module 4 × HDMI-A
	PVW	Standard with PVW HDMI Module 2 × HDMI-A
	Communication	Genlock In / Loop 2 × BNC LAN 1 × RJ45 RS232 1 × RJ11 Serial USB In 1 × USB Type B USB In 1 × USB Type A
	Power	2 slots, up to 2 power 1 x IEC (each PSU)
Performance	Input Resolutions	SDI SMPTE 720p@25/30/50/60 1080i@50/59.94/60 1080p@23.98/24/25/29.97/30/50/59.94/60 2160p@30/50/60 DVI SMPTE 720p@50/60 1080i@50/60 1080p@50/60 2160p@30 VESA 800×600@60 1024×768@60 1280×768@60 1280×800@60 1280×1024@60 1360×768@60 1366×768@60 1400×900@60 1600×1050@60 1600×1200@60 1680×1050@60 1920×1080@23.98/24/25/29.97/30/50/59.94/60 1920×1200@60 2048×1152@60 2560×812@60 2560×816@60 2560×1600@60 3840×1080@60 3840×2160@23.98/24/25/29.97/30 DP HDMI SMPTE 720p@25/30/50/60 1080p@23.98/24/25/29.97/30/50/59.94/60 2160p@30/50/60 VESA 800×600@60 1024×768@60 1280×768@60 1280×800@60 1280×1024@60 1360×768@60 1366×768@60 1400×900@60 1600×1050@60 1600×1200@60 1680×1050@60 1920×1080@23.98/24/25/29.97/30/50/59.94/60 1920×1200@60 2048×1152@60 2560×812@60 2560×816@60 2560×1600@60 3840×1080@60 3840×2160@23.98/24/25/29.97/30/50/60
	Output Resolutions	Select from below or configure customized SDI SMPTE 720p@25/30/50/60 1080i@50/59.94/60 1080p@23.98/24/25/29.97/30/50/59.94/60 2160p@30/50/60 HDMI SMPTE 720p@25/30/50/60 1080p@23.98/24/25/29.97/30/50/59.94/60 2160p@30/50/60 VESA 800×600@60 1024×768@60 1280×768@60 1280×800@60 1280×1024@60 1360×768@60 1366×768@60 1400×900@60 1600×1050@60 1600×1200@60 1680×1050@60 1920×1080@23.98/24/25/29.97/30/50/59.94/60 1920×1200@60 2048×1152@60 2560×812@60 2560×816@60 2560×1600@60 3840×1080@60 3840×2160@23.98/24/25/29.97/30/50/60
	Supported Standard	SDI SMPTE ST 2082-1, SMPTE ST 2081-1, SMPTE ST 424, SMPTE ST 292-1, SMPTE ST 259, DVB-ASI,MADI DisplayPort 1.2 HDMI 2.0 DVI Dual Link
Power	Input	AC 90-264VAC, 50/60Hz
	Max Power	400W
Environment	Temperature	0°C ~ 40°C
	Humidity	10%~85%
Physical	Weight	Net 15.1kg Packaged 19.7kg
	Dimension	Net 484mmx545mmx95mm Packaged 630mmx595mmx255mm

